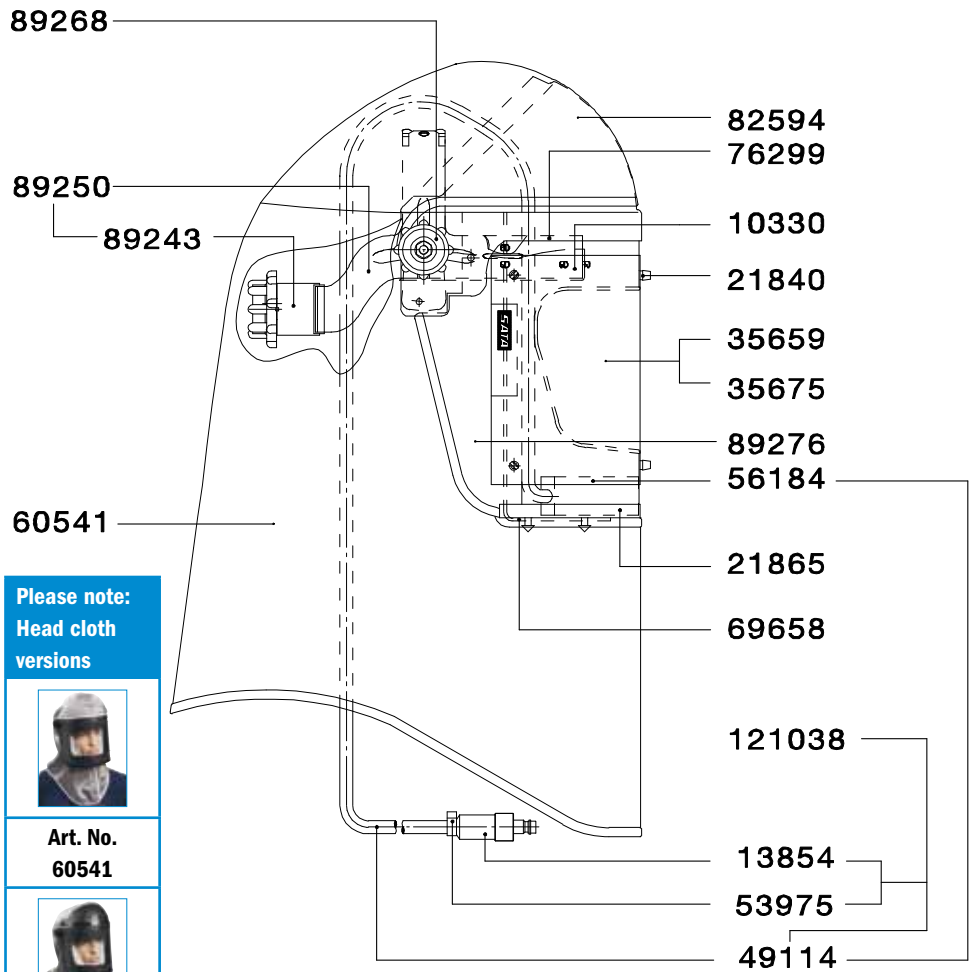


# Spare Parts SATA® vision™ 2000

Art. No./Descr.	
10330	Pack of 10 artificial leather sweat ribbons for SATA vision 2000
13623	SATA quick coupling 100.14 G 1/4 male thread
13854	Silencer for SATA respirator
13904	Filter cartridge for SATA respirators
13920	Belt with buckle for respirator
21840	Set of plug-in nipples complete
21865	Bottom part (2 pcs.)
22947	O-ring 54 x 2,5 mm Perbunan for respirator housing
25064	Gauge for respirator adsorber (new adsorber version)
25106	Spindle, complete, for adsorber (CE) of half mask + full face respirator
27797	Adsorber glass for full face respirator
35659	5 visor foils for SATA vision 2000 (6 holes)
35675	25 visor foils for SATA vision 2000 (6 holes)
49114	Air hose 1850 mm for SATA CE respirator w. acoustic warning device + foam sleeve
49726	Protective cage for respirator filter unit
53934	Safety quick coupling for SATA full face respirator
53942	Nipple G 1/4 for GS respirator, UBE + blow-off gun, size 14
53975	Hose clamp 10.5
56184	Foam sleeve for CE respirator
60541	Grey head cloth w. chest cover for respirator hood
69658	20 hood inlays for SATA vision 2000
76299	Foam stripes, one side self-adhesive 8 x 25 x 345 mm, for respirators
82594	Hood with velcro tape, loose
89243	Adjustable part for head strap of vision 2000 respirator
89250	Head strap, cpl.
89268	Double screws for vision 2000 respirator
89276	Carrier frame with side parts, plug-in nipples and bottom part
121038	Air hose 1850 mm acoustic warning device w. foam sleeve and silencer, cpl. w. fittings
149872	Belt cushion and installation instructions



**Please note:  
Head cloth  
versions**

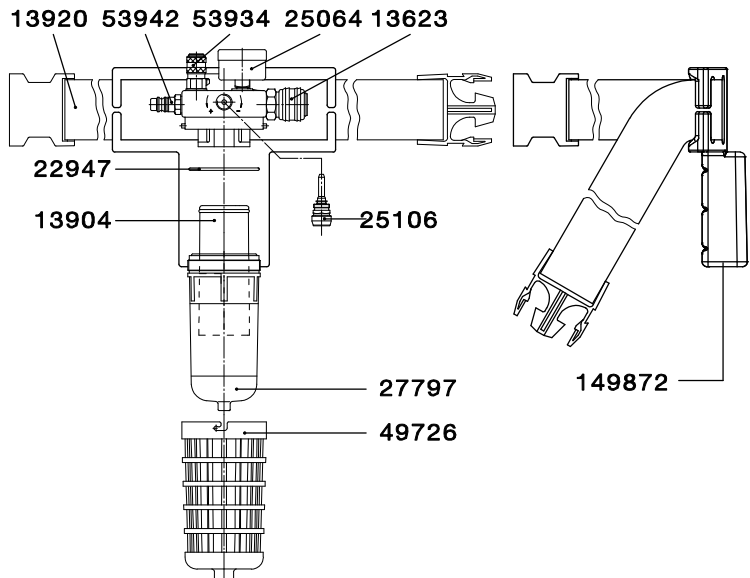


**Art. No.  
60541**



**Art. No. 56762**

**Belt unit Art. No. 54015**



All prices are recommended list prices. Errors, technical modifications and printing errors reserved.