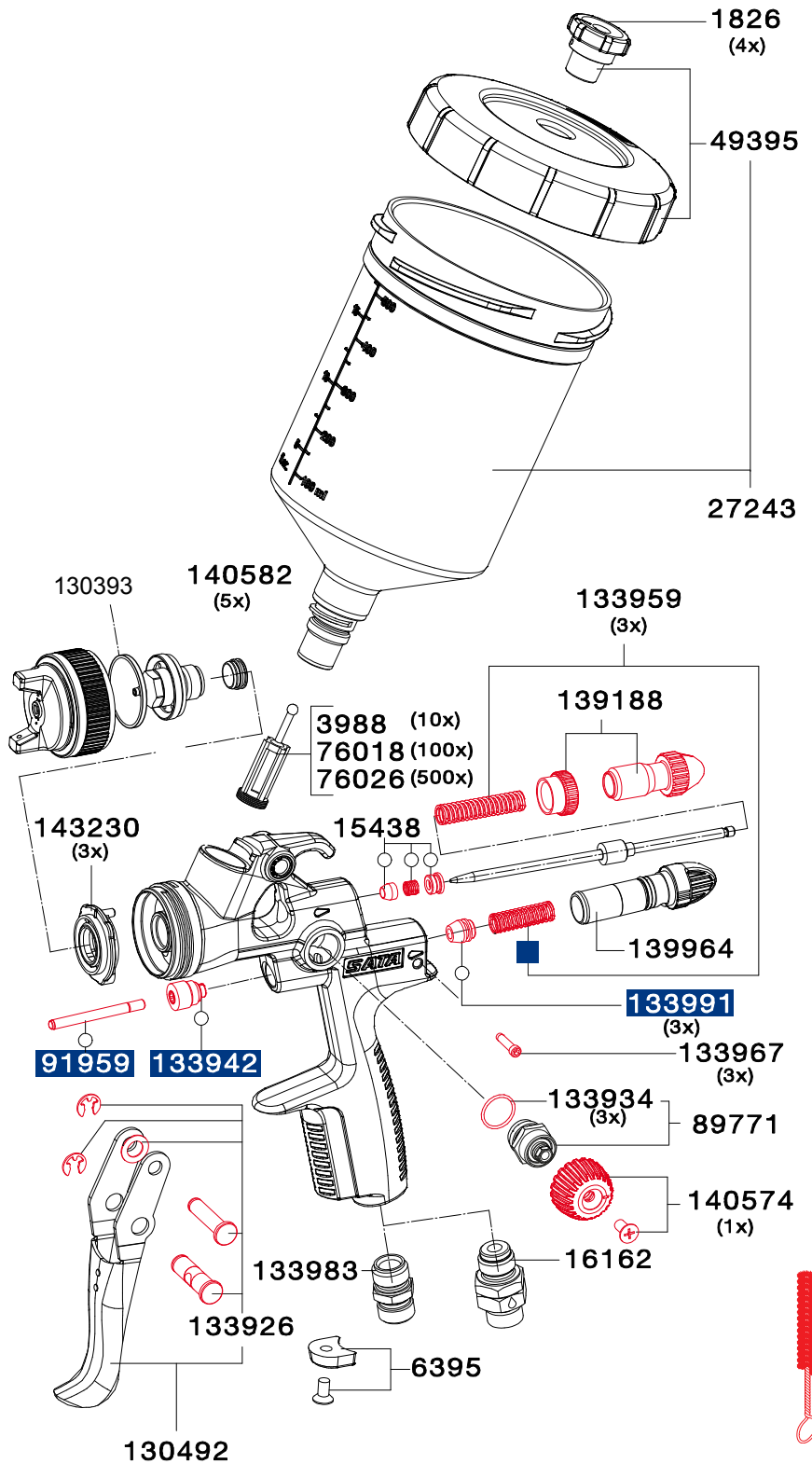


Spare Parts SATAjet® 1000 B

Art. No./Descr.
1826 Anti-drip device (packing unit 4 pieces)
3988 Paint strainer, 300 µm (packing unit 10 pieces)
6395 CCS Clips, green, blue, red, black packing unit 4 pieces)
15438 Paint needle packing
16162 Swivel joint
27243 Reusable plastic cup, 0.6 l with QCC without fine thread
49395 Screw-on lid for 0.6 l PVC cup with drip-catching ring and non-drip device
76018 Paint strainer, 300 µm (packing unit 100 pieces)
76026 Paint strainer, 300 µm (packing unit 500 pieces)
89771 Spindle, cpl., f. round / flat spray control SATAjet 2000 HVLP
91959 Air piston rod
130393 Sealing ring for air cap ring SATAjet 100 and 1000
130492 Trigger kit
133926 Trigger sleeve kit
133934 Sealing (packing unit 3 pieces) for spindle
133942 Seal retainer, cpl.
133959 Pressure spring (3 pieces) for paint needle and air piston
133967 Adjustment screw (packing unit 3 pieces) for air micrometer
133983 Air connection piece 1/4" male thread
133991 Air piston head (packing unit 3 pieces)
139188 Material flow control with counter nut
139964 Air micrometer
140574 Control knob with screw
140582 Sealing element (packing unit 5 pieces) for fluid tip
143230 Air distribution ring (packing unit 3 pieces)



All prices are recommended list prices. Errors, technical modifications and printing errors reserved.

Art. No./Descr.
9050 Tool kit
· Extraction tool
· Paint strainer
· Cleaning brush
· Allen wrench 2 mm width
· Allen wrench 4 mm width
· Universal spanner
1097379 Universal key kit (pack of 3 pieces)

Art. No./Descr.
130542 Repair kit
92759 Air piston service unit
183780 Sealing kit