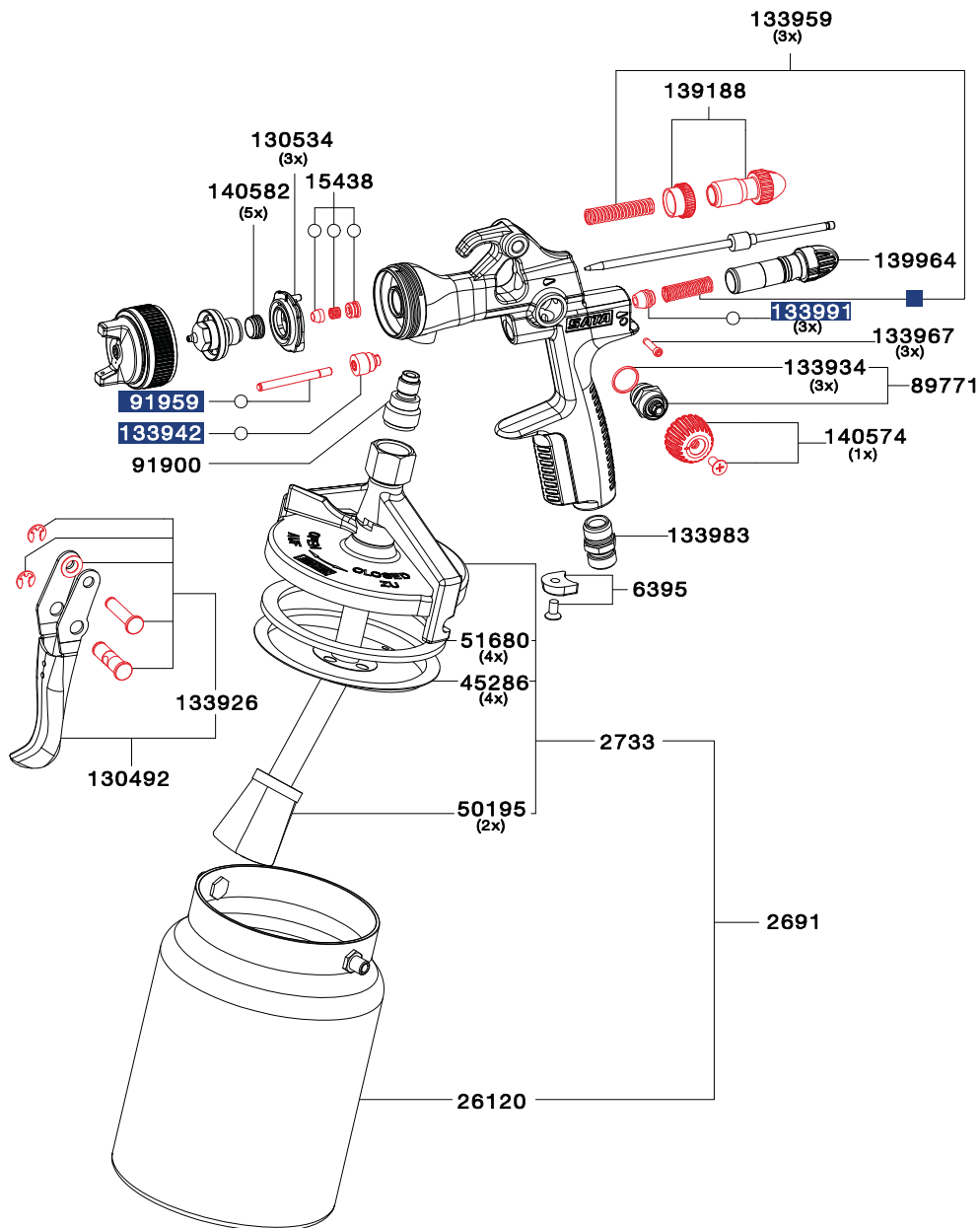


Spare Parts SATAjet® 1000 H

Art. No./Descr.
2691
1.0 l aluminium suction cup, cpl.
2733
Lid fitting
6395
CCS Clips, green, blue, red, black packing unit 4 pieces)
15438
Paint needle packing
26120
1.0 l aluminium suction cup, ohne Deckel
45286
Anti-drip device (pack of 4 pieces)
50195
Strainer (packing unit 2 pieces)
51680
Sealing ring (packing unit 4 pieces)
89771
Spindle, cpl., f. round / flat spray control SATAjet 2000 HVLP
91900
Material connection, stainless steel
91959
Air piston rod
130492
Trigger kit
130534
Air distribution ring (packing unit 3 pieces)
133926
Trigger sleeve kit
133934
Sealing (packing unit 3 pieces) for spindle
133942
Seal retainer, cpl.
133959
Pressure spring (3 pieces) for paint needle and air piston
133967
Adjustment screw (packing unit 3 pieces) for air micrometer
133983
Air connection piece 1/4" male thread
133991
Air piston head (packing unit 3 pieces)
139188
Material flow control with counter nut
139964
Air micrometer
140574
Control knob with screw
140582
Sealing element (packing unit 5 pieces) for fluid tip



All prices are recommended list prices. Errors, technical modifications and printing errors reserved.

Art. No./Descr.
9050
Tool kit
· Extraction tool
· Paint strainer
· Cleaning brush
· Allen wrench 2 mm width
· Allen wrench 4 mm width
· Universal spanner



Art. No./Descr.
130542
Repair kit
92759
Air piston service unit
○ 183780
Sealing kit